

Type SNKM-1.0

basic @ level

Free adjustable level-head-module for conductive level detection

Advanced Features

- ▶ Processor-controlled level-switch-module
- ▶ Full-/empty message switchable
- ▶ Installation in 1-staff level probe (e. g. KS 15/17)
- ▶ Direct connection on a PLC control
- ▶ Module is moulded completely
- ▶ PC-configurable (optional)
incl. process-monitoring + documentation
- ▶ Visualisation by use of PC-USB-Interface incl. Software to read out and parametrise

Technical Features

- ▶ Installation in all conductive 1-staff level-probes with connecting-head bigger als 43,5 mm Ø
- ▶ Auxiliary Voltage 24VDC
- ▶ Output PNP, 24 V, 30 mA, invertable
- ▶ Electrodes supply AC voltage
- ▶ Storage temperature -20...+85°C
- ▶ Working temperature -10...+70°C
- ▶ Voltage-requirement <30mA
- ▶ Construction form: Ø 43,5 mm
- ▶ Supply voltage: 24 VDC +-20%
- ▶ Input: 1 Electrode, ground on sleeve

Favoured fields of application are e.g.:

- ▶ Level detection of conductive liquids
- ▶ Analysis of single-levels in conductive working 1-staff level-probes (e. g. KS 15/17)

Sensitivity

Adjustable by use of Software

Range 0...10 kOhm / 10...990 kOhm

Function full-/empty

Switchable

look configurations-switch

Preset Power On value 6kΩ
 Power Off value 7kΩ
 Turn on-/turn off delay <0,3 sec.



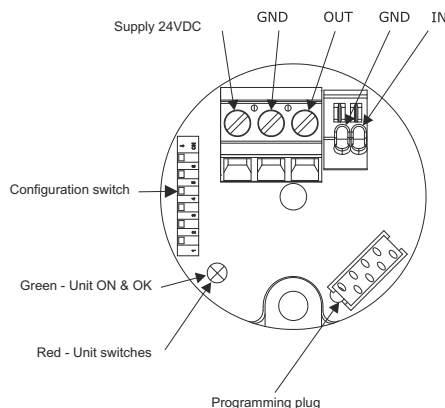
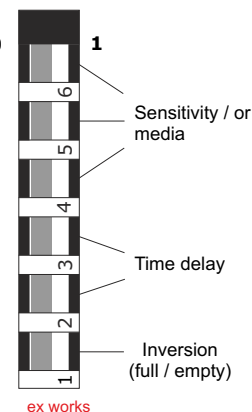
Sensitivity adjustment at various media

Switch			Turn on/off values		
6	5	4	On	Off	kΩ
0	0	0	3	4	kΩ
Switch setting for PC-Parameterization (optional)					
0	0	1	3	3,5	kΩ
0	1	0	5	5,5	kΩ
0	1	1	6	6,5	kΩ
1	0	0	8	8,5	kΩ
1	0	1	100	130	kΩ
1	1	0	250	280	kΩ
1	1	1	500	530	kΩ

Delay

Switch		Delay in sec
3	2	
0	0	0,1 sec
0	1	2 sec
1	0	4 sec
1	1	8 sec

Configuration-switch



Protect the device during installation and operation from electrostatic discharge. A faulty installation, as well as incorrectly parameter settings may affect your application in proper function, or cause damages. Therefore It should always exist independent safety features . Settings must be performed by qualified persoal. All necessary settings on the must be performed over configuration switches or the SNKM-Software. Should still occur problems during the start-up, you may not make any unauthorized tampering with the device. You could endanger your warranty!
 - At lower deviation of dew points water condensation is possible, that can destroy the module.
 - The unit must installed directly into a 1-staff level-probe. Do not use any supply lines between module and probe that are longer than 5cm !
 - The CE declaration of conformity is exclusive valid by installation in a probe of the KS-1..series!