



Type SKS 18 System APV

basic @ level

Conductive one-staff level probe with welding sleeve system APV

Advanced Features

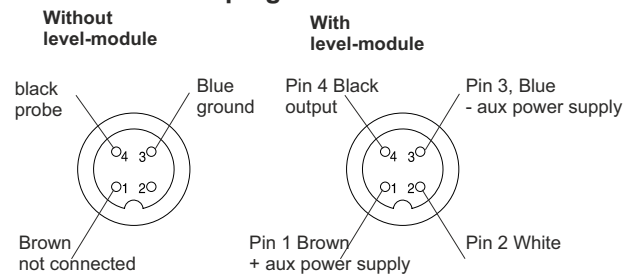
- ▶ Welding sleeve system APV
- ▶ Electrodes free cuttable
- ▶ Wetting parts made of high-grade steel
Material No. 1.4404, peek and NBR
- ▶ HALAR® 3404DA-coating
- ▶ FDA, EHEDG-conformal (up to 120°C)

Technical features

- ▶ Electrodes coated, 10mm Ø *
- ▶ High-grade-steel connecting head
Material No. 1.4305
- ▶ Optional deliverable with level module
- ▶ With connecting head, optional connections:
 - Screw joint
 - M12 plug
- ▶ Umgebungstemperatur (Kopf) -10...+60°C
- ▶ Ambient temperature 0...100°C
- ▶ Medium temperature max. 0...140°C (30 min)
- ▶ Durable temperature (Head) 0...+70°C
- ▶ Protection class IP 68
- ▶ Working pressure 10 bar max.
- ▶ Torque max for sealing-system: 10-20 Nm



M12 plug



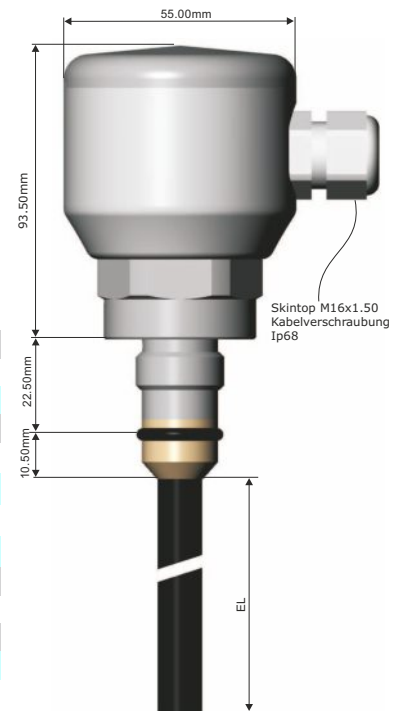
*Coating for SIP applications (Sterilizing-In-Place) only conditionally suitable.

Favoured fields of application are e. g.:

- ▶ Low- / high alarm in containers
- ▶ Media registration in pipes as pump-protection
- ▶ Filling / emptying of tanks with level control

SKS 18	-		-		-	F	-	
High-grade-steel connecting head								
With connecting head and with screw joint	0	5						
With connecting head and with M12-plug	0	6						
Probe length								
Probe length (mm)				100				
Probe length (mm)				500				
Probe length (mm)				1000				
Customized, price of the next larger standard length + 18€ cutting costs				K				
Type of electrode						F		
coated staff 10 mmØ								
Level module								SNKM
optional mit integrated level module								DB
wire break resistance								

The red marked items are preferred types!



Please note that during installation and removal of coated probes, the coating is not damaged. Damage can lead to errors in the evaluation!