



Type SKS 29/39/49

basic @ level

Conductive more-staff-level probe

Advanced Features

- ▶ Elektrodes free cuttable
- ▶ Connecting head made of Polypropylene (PP)
- ▶ Wetting parts made of high grade steel 1.4404 (Coating ETFE)

Technical Features

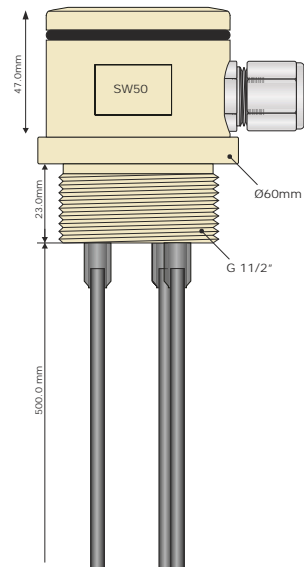
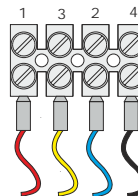
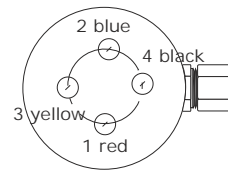
- ▶ Electrodes blank or coated
- ▶ With connecting head, connection M16 screw
- ▶ Thread G 1 1/2"
- ▶ Protection class IP 68
- ▶ Working pressure 10 bar max. (Higher pressures on request)
- ▶ Torque 10-20 Nm
- ▶ Media temperature 0...90°C
- ▶ Ambient temperature -10... + 60°C
- ▶ Staff length 2000 mm max.

Favoured fields of application are e.g.:

- ▶ Low- / high alarm in containers
- ▶ Media registration in pipes as pump protection
- ▶ Container filling / deflation with level control



Example SKS 39



Order Code

SKS 29 (2-staff probe)
SKS 39 (3-staff probe)
SKS 49 (4-staff probe)

Connecting Head

With Connecting head and screw connection

P 5

Probe lengths per staff

Standard length blank staff Ø 4 mm 4 mm	4-A
Standard length blank staff Ø 4 mm 200 mm	200-A
Standard length blank staff Ø 4 mm 500 mm	500-A
Standard length blank staff Ø 4 mm 1000 mm	1000-A
Standard length blank staff Ø 4 mm 1500 mm	1500-A
Standard length blank staff Ø 4 mm 2000 mm	2000-A
Standard length coated staff Ø 4mm 200 mm	200-B
Standard length coated staff Ø 4mm 500 mm	500-B
Standard length coated staff Ø 4mm 1000 mm	1000-B
Standard length coated staff Ø 4mm 1500 mm	1500-B
Standard length coated staff Ø 4mm 2000 mm	2000-B

Please note that during installation and removal of coated probes, the coating is not damaged. Damage can lead to errors in the evaluation!