

Type SGS-02-11-S

basic @ level

Limit switch for the food industry

Basic Features

- ▶ One limit switch for watery and oily media
- ▶ Two steady adjusted switch on /off treshold, free adjustable with software (no two units required) Standard: watery media
- ▶ welding sleeve-system with modular process conections
- ▶ Aseptic measuring point
- ▶ Wetting parts made of peek
- ▶ Display of the switching state via brighh TOP LED illuminated ring of PA-GF20
- ▶ Very high meauring dynamic
- ▶ Partly moulded
- ▶ EHEDG certified, FDA-conformal

Technical Features

- ▶ High-grade steel connecting head
Material No. 1.4404 (316L)
- ▶ Connection: M12 plug (1.4301)
- ▶ Thread G 1/2" elastomerfree sealing system
- ▶ Sensor heads made of Peek (HPC-Tip No. 2)
- ▶ CIP-/SIP cleaning 0... + 150°C (30 min)
- ▶ Supply Voltage 12...32 VDC
- ▶ Output signal PNP (standard), NPN or Push-Pull switchable/ NC, NO switchable
- ▶ Power up delay < 0,3s
- ▶ Response time 0,2s
- ▶ Ambient temperature -10...+70°C
- ▶ Medium temperature durable 0...+100°C
- ▶ Storage temperature -20...+70°C
- ▶ Working pressure 10 bar bar (Higher pressures on request)
- ▶ Protection class IP68 / 69K
- ▶ Torque max. 20 Nm
- ▶ Permissible Load: 100mA

Favoured fields of application are e.g:

The smw is a micro-processor controlled limit switch for liquids or paste-like and adhesive medias.

- ▶ Low- / high alarm in containers
- ▶ Media registration in pipes as pump protection
- ▶ Fill level detection of liquids in containers + pipes



Approvals

EHEDG, Hygienic Peek Connect G 1/2" (HPC)
Certificate Number 21/2017

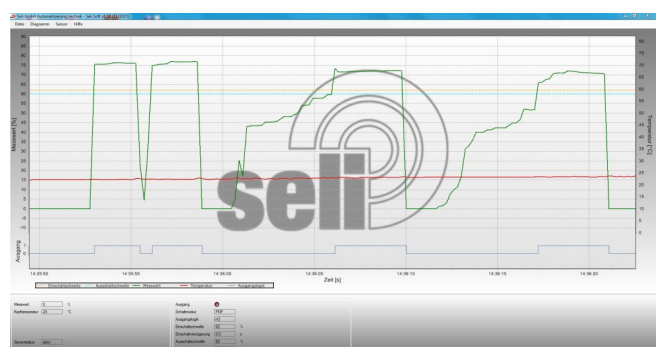
Certificate only valid in combination with an EHEDG process tip (HPC tip) and process adapter (HPC sleeve). Permissible process adapters see data sheet
"Process adaptation"

ATTENTION!

At lower deviation of dew points water condensation is possible, that can destroy the sensor. At stress with change of temperatures, e. G. a cold water jet on the hot sensor, it can come to absorption of fluids in to the sensor. (Requirements cf. DIN EN 60068-2-14)

The tightness classification after IP68 does not mean that these parts are suitable! for applications with lower deviation of dew point or temperature shock. (DIN 60068-2-14)

Visualization via PC-USB interface Software incl for readout the SGS





Type SGS-02-11-S

basic @ level

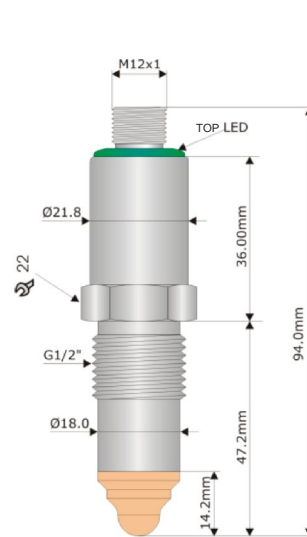
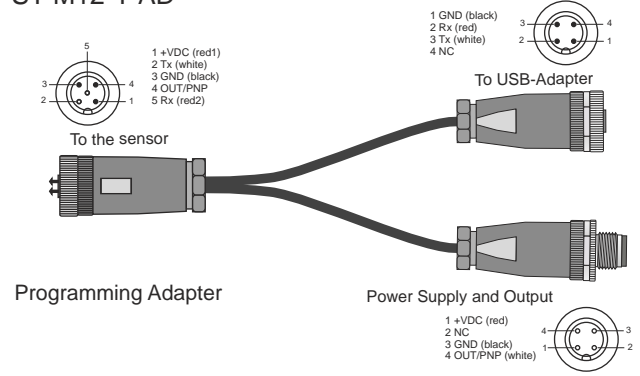
Parameterization (optional accessories)

For parameterization, both the PC USB interface STPA-M12 and the programming adapter ST-M12-Y-AD is required.

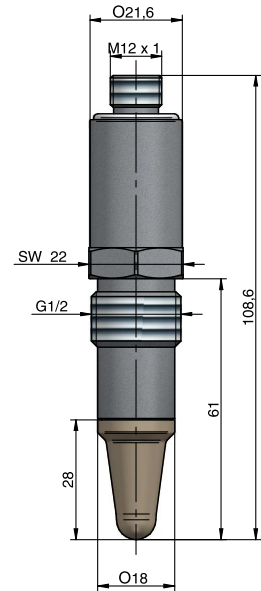
ST-PA-M12

PC-USB-Interface incl. the Software for readout and parameterize.

ST-M12-Y-AD



SGS-02-11-S



SGS-02-11-S-P

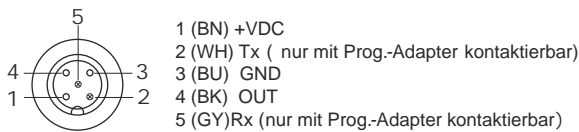
Notice

Suitable for applications with predominantly aqueous media, mild, beer, Cip - liquids. Very adhesive media can lead incorrect measurements.

Relevant welding sleeves on request.

The sealing of the sensor must have an intact electrical connection of the G1/2" thread and the container wall. Do not use any sealing strips

Pin Configuration



Installation Notes

Torque PEEK-Tip (HPTC-Tip) with sleeve (HPC-Sleeve): 20Nm



Order code

SGS- - -

Version with longer peek tip

SGS- - - -

Accessories

PC-USB-Interface incl. Software to redout and parameterize

ST-PA-M12

Programming adapter (Y-Adapter M12) to connect the SGS with PC-USB-Interface

ST-M12-Y-AD

Weiteres Zubehör siehe Datenblatt Prozessanschlusstechnik

modular @ process

2019-01