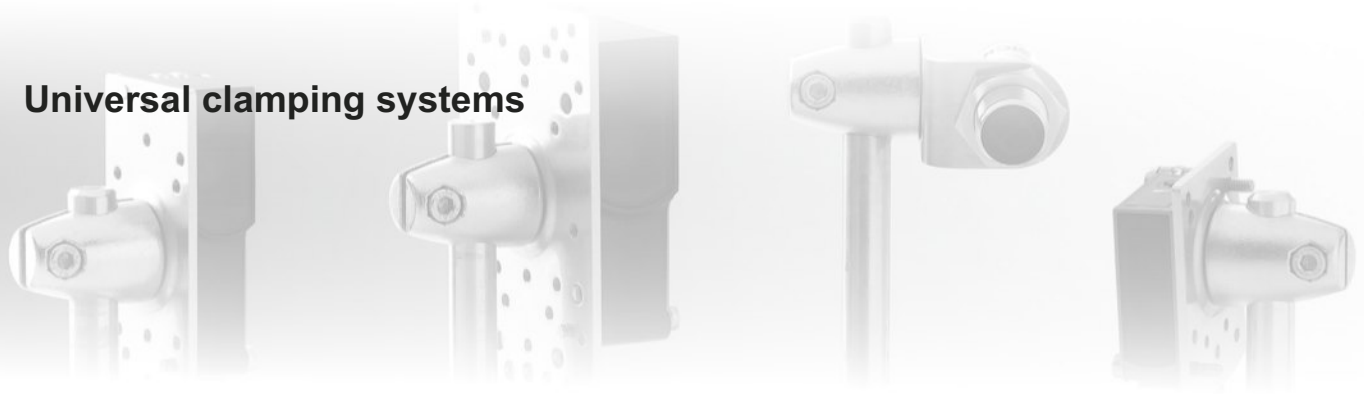


Universal clamping systems



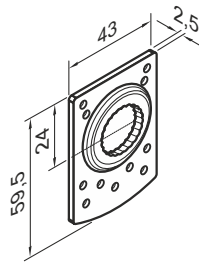
UBF-B-01

Universal clamping systems
für optical sensors



Plate N02(N) for universal clamp

Dimensioned drawing



All dimensions in mm

Technical data

Material Plate: High grade steel (1.4571)
Clamp holder: High grade steel (1.4408)

Scope of delivery Including clamp holder,
fixing material

Order Informations

Type	Art. No.
UBF-B-01	BS-00001

UBF-B-02

Universal clamping systems
for reflectors

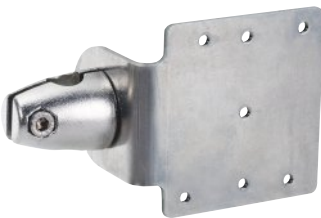
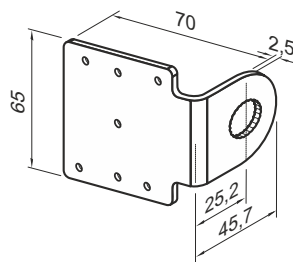


Plate N07(N) for universal clamp

Dimensioned drawing



All dimensions in mm

Technical data

Material Plate: High grade steel (1.4571)
Clamp holder: High grade steel (1.4408)

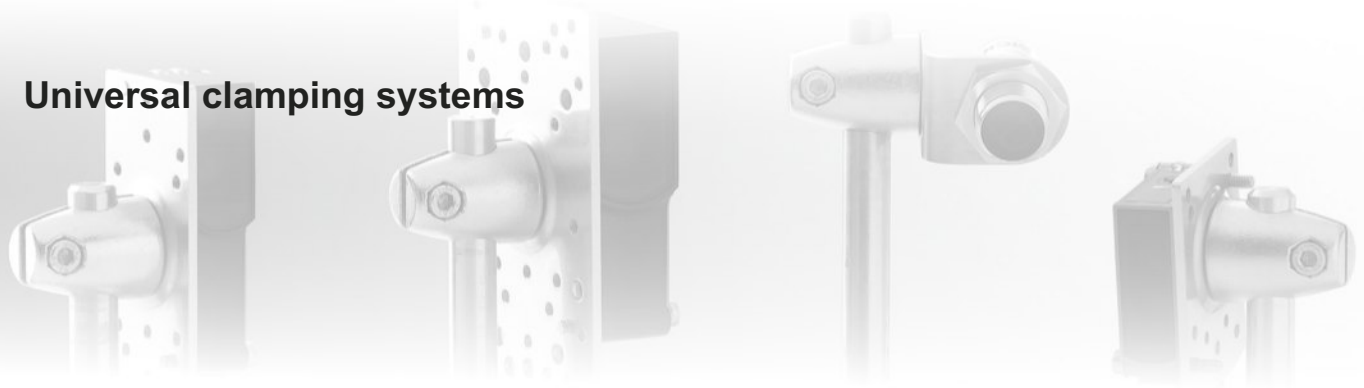
Scope of delivery Including clamp holder,
fixing material

Order Informations

Type	Art. No.
UBF-B-02	BS-00002

Reflectors must be selected according to the respective application!

Universal clamping systems



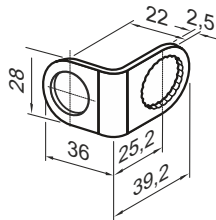
UBF-B-03

Universal clamping systems
for M18-initiators and optical
systems



Plate N06(N) for universal clamp

Dimensioned drawing



All dimensions in mm

Technical data

Material Plate: High grade steel (1.4571)
Clamp holder: High grade steel (1.4408)

Scope of delivery Including clamp holder,
fixing material

Order Informations

Type **Art. No.**

UBF-B-03 BS-00003

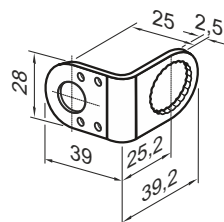
UBF-B-04

Universal clamping systems
for M12-initiators and optical
systems



Plate N05(N) for universal clamp

Dimensioned drawing



All dimensions in mm

Technical data

Material Plate: High grade steel (1.4571)
Clamp holder: High grade steel (1.4408)

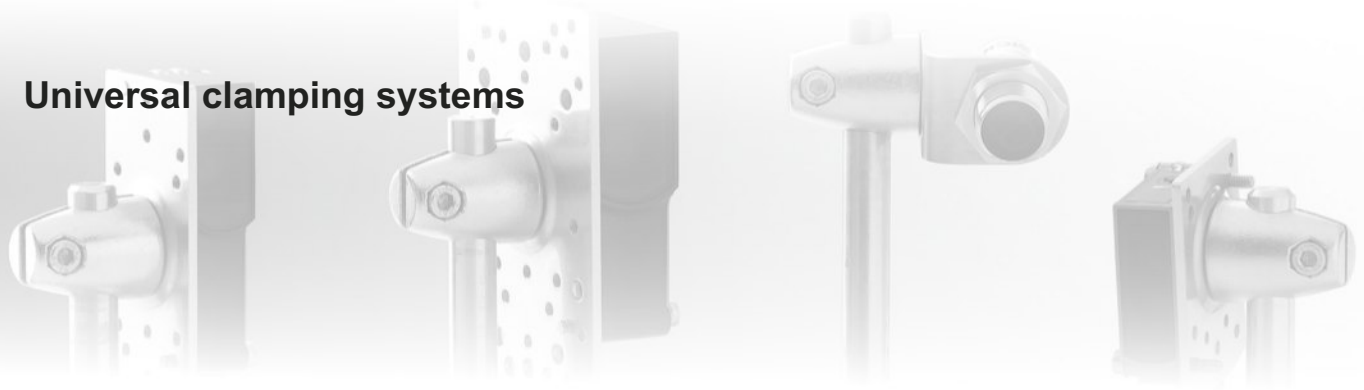
Scope of delivery Including clamp holder,
fixing material

Order Informations

Type **Art.No.**

UBF-B-04 BS-00004

Universal clamping systems



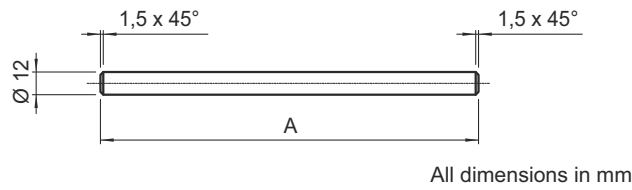
UBF-S-...

Universal clamping system



Mounting rod straight

Dimensioned drawing



Technical data

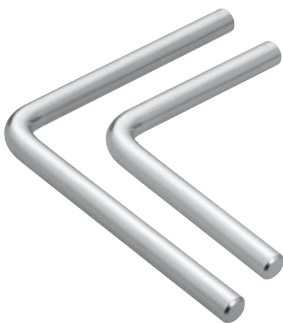
Material High grade steel 1.4571

Order informations

Type	Art.No.	Dimension A
UBF-S-01	BS-00007	200 mm
UBF-S-02	BS-00008	300 mm

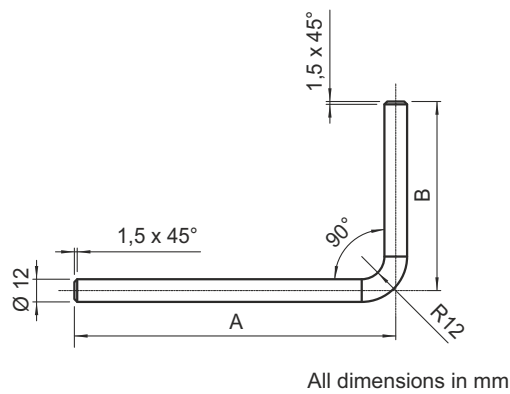
UBF-S-...

Universal clamping system



Mounting rod L-form

Dimensioned drawing



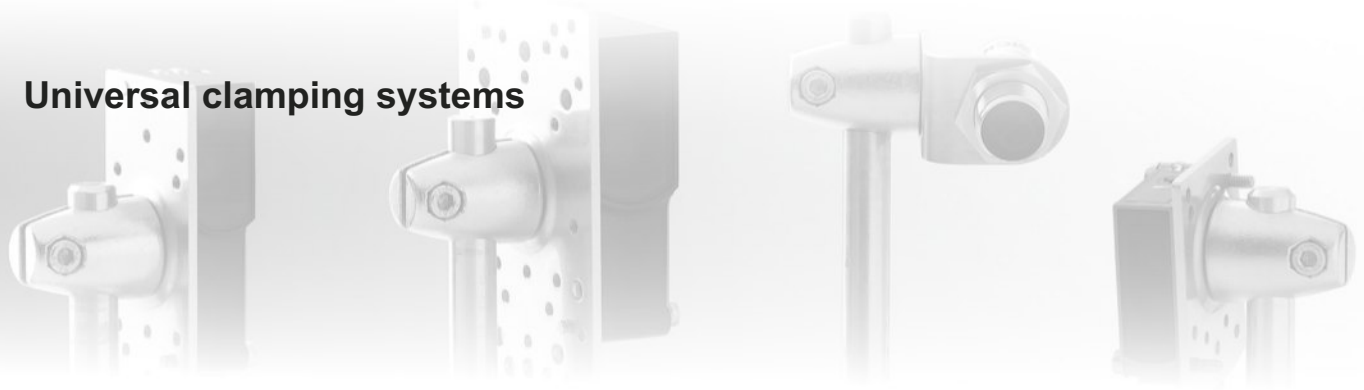
Technical data

Material High grade steel 1.4571

Order informations

Type	Art.No.	Dimension A	Dimension B
UBF-S-03	BS-00009	150 mm	150 mm
UBF-S-04	BS-00010	250 mm	250 mm

Universal clamping systems



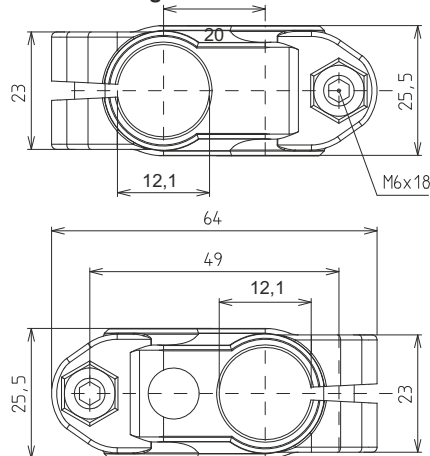
UBF-G-03

Cross clamp



„Cross clamp“ for Ø12mm rods

Dimensioned drawing



Technical data

Material High grade steel 1.4301

Order informations

Type Art.No.
UBF-G-03 BS-00013

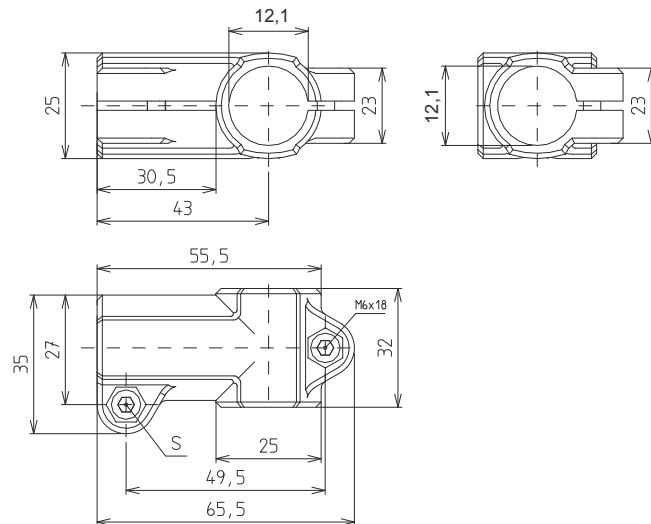
UBF-G-04

Angled clamp



„Angled clamp“ for Ø12mm rods

Dimensioned drawing



Technical data

Material High grade steel 1.4301

Order informations

Type Art.No.
UBF-G-04 BS-00014

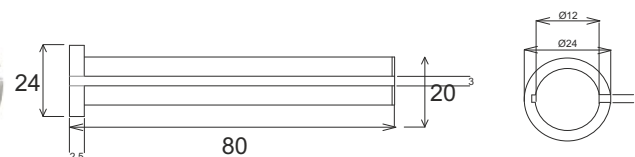
UBF-KK

Clamping sleeve



Clamping sleeve for Krones-Holder Ø24/20x80mm

Dimensioned drawing



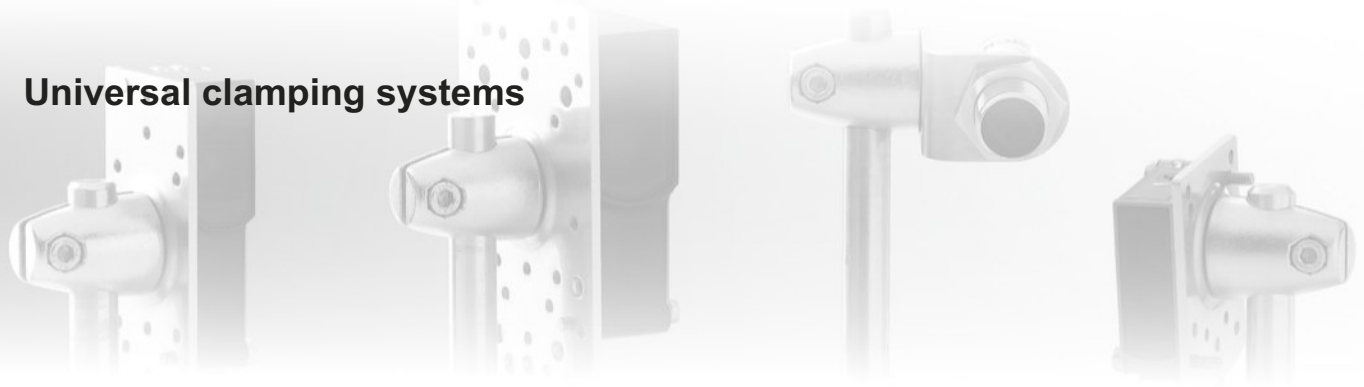
Technical data

Material High grade steel 1.4301

Order informations

Type Art.No.
UBF-KK BS-00015

Universal clamping systems



UBF-S-.....

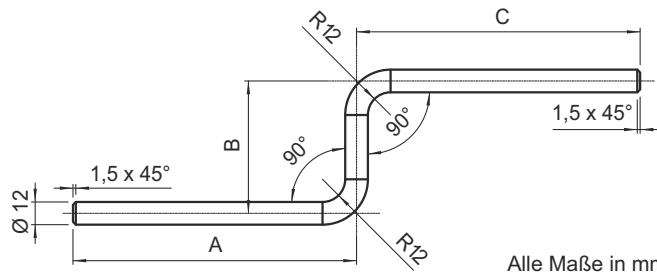
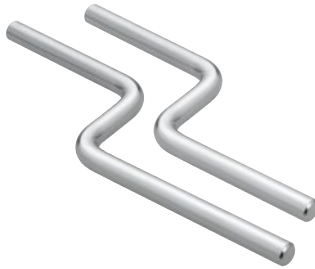
Universal clamping system

Mounting rod Z-form

Dimensioned drawing

Technical data

Material High grade steel 1.4571



Order informations

Type	Art.No.	Dimension A	Dimension B	Dimension C
UBF-S-05	BS-00011	150 mm	70 mm	150 mm
UBF-S-06	BS-00012	150 mm	70 mm	250 mm

UBF-G-01

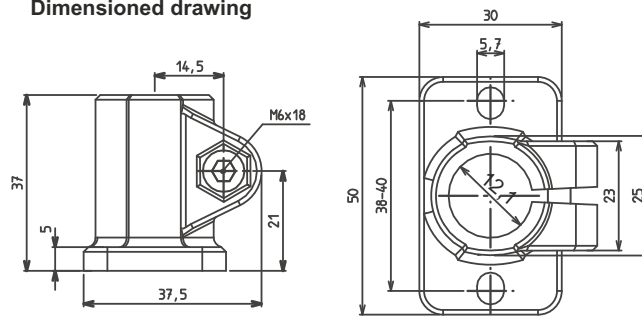
Basic holder

Basic holder "foot clamp" for Ø12mm rods

Dimensioned drawing

Technical data

Material High grade steel 1.4301



Order informations

Type	Art.No.
UBF-G-01	BS-00005

UBF-G-02

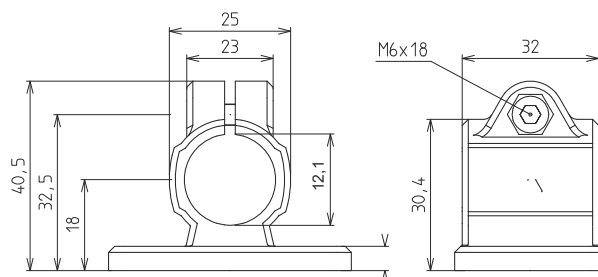
Basic holder

Basic holder „flange clamp“ for Ø12mm rods

Dimensioned drawing

Technical data

Material High grade steel 1.4301



Order informations

Type	Art.No.
UBF-G-02	BS-00006